

BISON

REFRIGERATION

Units Manufactured Prior 10-1-18

Include 1 Year Parts + Labor / 5 Year Compressor Warranty

Units Manufactured After 10-1-18

Include 2 Year Parts + Labor / 5 Year Compressor Warranty

BUR-72 3 Door Undercounter Cooler

Dimensions

| | |
|-------------------------------|-----------------------|
| Exterior Dimensions (Inches) | 72.75" x 30" x 37.25" |
| Interior Dimensions (Inches) | 69" x 24" x 24" |
| Packaging Dimensions (Inches) | 75.4" x 33.5" x 37.7" |
| Capacity (cu. ft.) | 32.8 cu. ft. |
| Gross Weight (lbs) | 353 lbs |

Construction

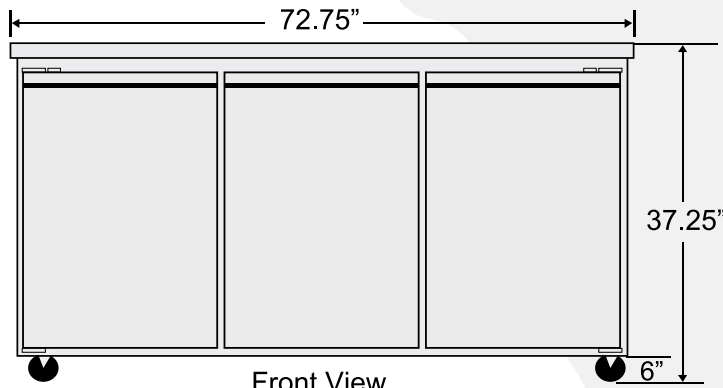
| | |
|------------------------------|----------------------------|
| Exterior Material | 430 series stainless steel |
| Interior Material | 304 series stainless steel |
| Insulation Material | Polyurethane |
| Insulation Thickness (mm) | 45 |
| # of Doors | 3 |
| # of Shelves | 3 |
| Shelf Material | Plastic coated steel |
| Shelf Load Capacity (lbs/pc) | 155 lbs |

Cooling

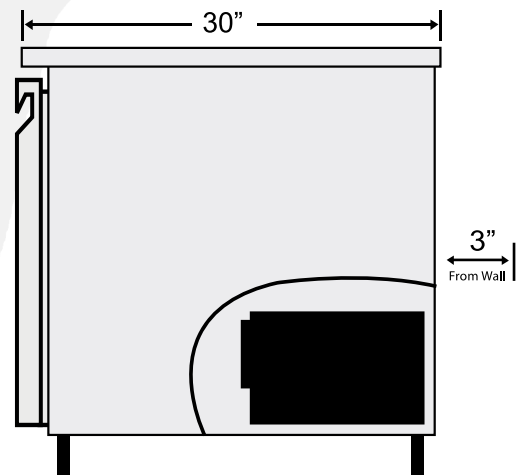
| | |
|------------------------------------|-------------|
| Temperature Range | 33° ~ 40° F |
| Refrigerant | R-134A |
| Refrigerant Amount (oz) | 11.6 |
| Maximum Ambient Temperature Rating | 100.4° F |
| Defrost Method | Air Defrost |
| Defrost Power (W) | 500 |
| Cooling Method | Ventilated |
| Temperature Controller | Thermostat |
| Compressor H/P | 1/3 |

Electrical

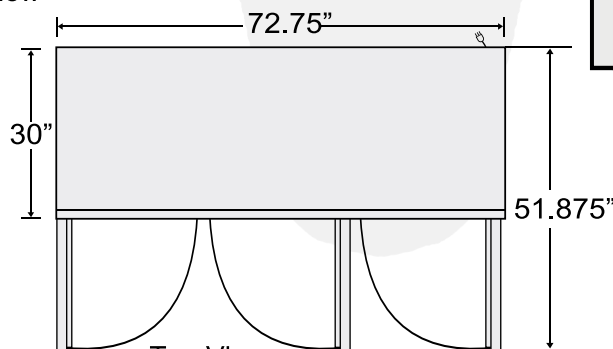
| | |
|-----------------------------|--------|
| Voltage (v/Hz) | 115/60 |
| Power (W) | 390 |
| Power Consumption (kw/24hr) | 1.7 |
| Phase | 1 |



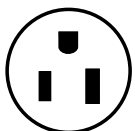
Front View



Side View



Top View



NEMA 5-15P

