

# BISON

## REFRIGERATION

Units Manufactured Prior 10-1-18

Include 1 Year Parts + Labor / 5 Year Compressor Warranty

Units Manufactured After 10-1-18

Include 2 Year Parts + Labor / 5 Year Compressor Warranty

### BUR-48 2 Door Undercounter Cooler

#### Dimensions

Exterior Dimensions (Inches)	48.125" x 30" x 37.125"
Interior Dimensions (Inches)	45" x 24" x 24"
Packaging Dimensions (Inches)	51" x 33.5" x 37.7"
Capacity (cu. ft.)	12 cu. ft.
Gross Weight (lbs)	232 lbs

#### Construction

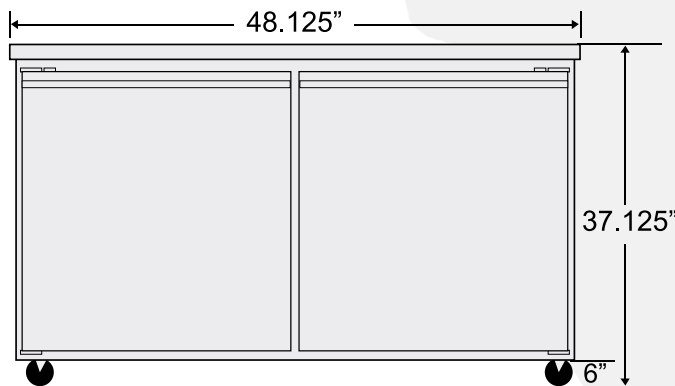
Exterior Material	430 series stainless steel
Interior Material	430 series stainless steel
Insulation Material	Polyurethane
Insulation Thickness (mm)	45
# of Doors	2
# of Shelves	2
Shelf Material	Plastic coated steel
Shelf Load Capacity (lbs/pc)	155 lbs

#### Cooling

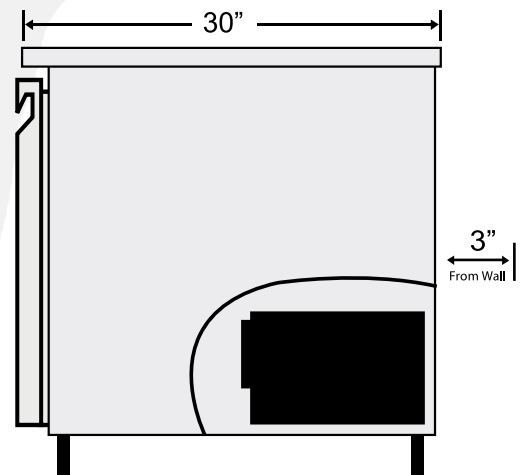
Temperature Range	33° ~ 40° F
Refrigerant	R290
Refrigerant Amount (oz)	11.6
Maximum Ambient Temperature Rating	90° F
Defrost Method	Air Defrost
Defrost Power (W)	0
Cooling Method	Ventilated
Temperature Controller	Thermostat
Compressor H/P	1/3

#### Electrical

Voltage (v/Hz)	115/60
Power (W)	390
Power Consumption (kw/24hr)	1.7
Phase	1



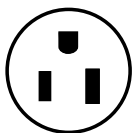
Front View



Side View



Top View



NEMA 5-15P



COMPLIES WITH ANSI/NSF 7 FOR FOOD SERVICE