

BISON

REFRIGERATION

Units Manufactured Prior 10-1-18

Include 1 Year Parts + Labor / 5 Year Compressor Warranty

Units Manufactured After 10-1-18

Include 2 Year Parts + Labor / 5 Year Compressor Warranty

BUF-48 2 Door Undercounter Freezer

Dimensions

Exterior Dimensions (Inches)	48.125" x 30" x 37.125"
Interior Dimensions (Inches)	45" x 24" x 24"
Packaging Dimensions (Inches)	51" x 33.5" x 37.7"
Capacity (cu. ft.)	12 cu. ft.
Gross Weight (lbs)	232 lbs

Construction

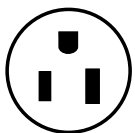
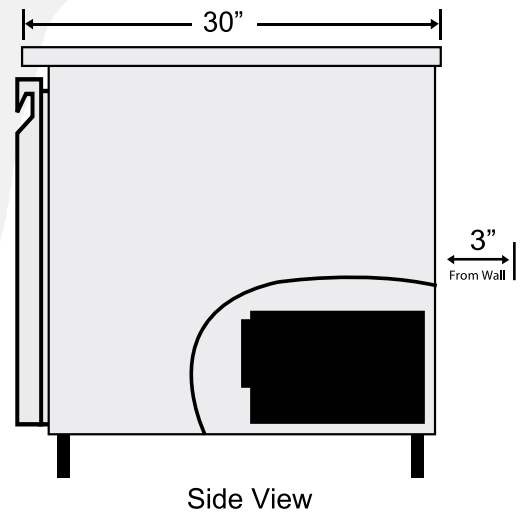
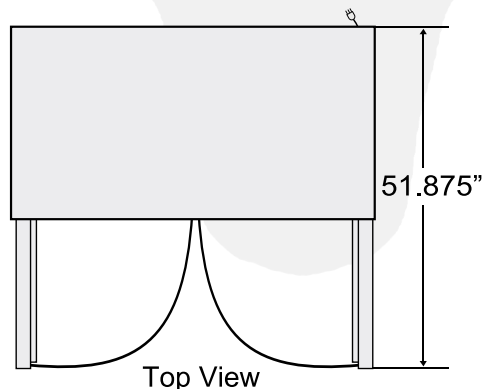
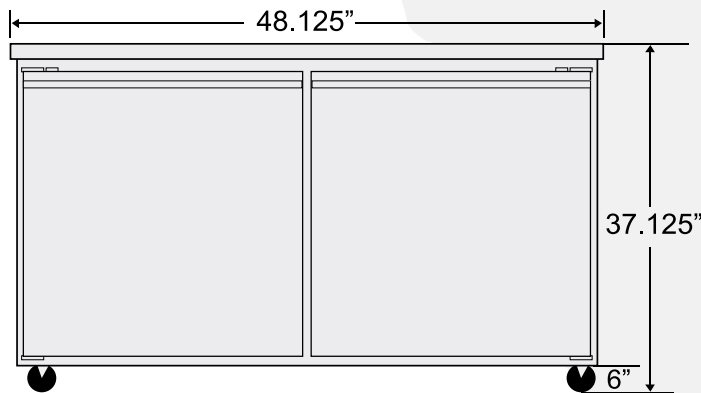
Exterior Material	430 series stainless steel
Interior Material	304 series stainless steel
Insulation Material	Polyurethane
Insulation Thickness (mm)	45
# of Doors	2
# of Shelves	2
Shelf Material	Plastic coated steel
Shelf Load Capacity (lbs/pc)	155 lbs

Cooling

Temperature Range	-8° ~ -1° F
Refrigerant	R-404A
Refrigerant Amount (oz)	19.4
Maximum Ambient Temperature Rating	100.4° F
Defrost Method	Electric Defrost
Defrost Power (W)	500
Cooling Method	Ventilated
Temperature Controller	Thermostat
Compressor H/P	1/2

Electrical

Voltage (v/Hz)	115/60
Power (W)	600
Power Consumption (kw/24hr)	6
Phase	1



NEMA 5-15P

