

# BISON

## REFRIGERATION

Units Manufactured Prior 10-1-18

Include 1 Year Parts + Labor / 5 Year Compressor Warranty

Units Manufactured After 10-1-18

Include 2 Year Parts + Labor / 5 Year Compressor Warranty

### BST-27 1 Door Sandwich Unit

#### Dimensions

Exterior Dimensions (Inches)	27.5" x 30" x 44.25"
Interior Dimensions (Inches)	24" x 24" x 24"
Packaging Dimensions (Inches)	30.2" x 33.5" x 45.9"
Capacity (cu. ft.)	6.5 cu. ft.
Gross Weight (lbs)	199 lbs

#### Construction

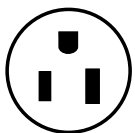
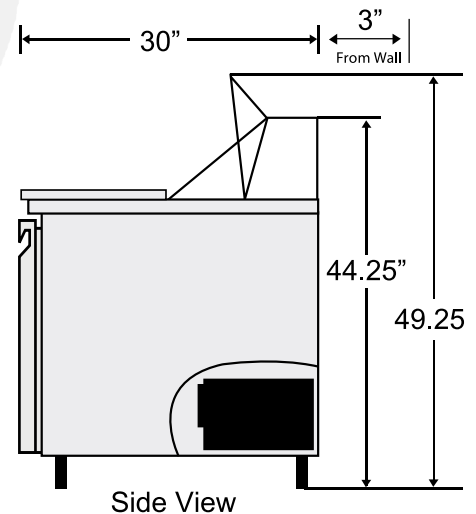
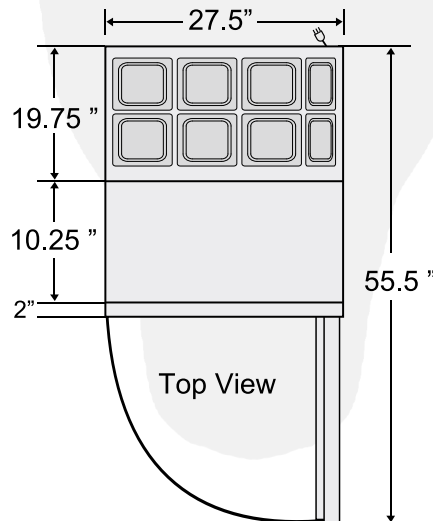
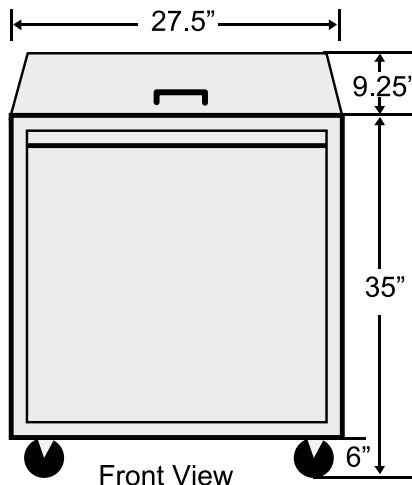
Exterior Material	430 series stainless steel
Interior Material	304 series stainless steel
Insulation Material	Polyurethane
Insulation Thickness (mm)	45
# of Doors	1
# of Shelves	1
Shelf Material	Plastic coated steel
Shelf Load Capacity (lbs/pc)	155 lbs
*Does not include pans	

#### Cooling

Temperature Range	33° ~ 40° F
Refrigerant	R-134A
Refrigerant Amount (oz)	9.2
Maximum Ambient Temperature Rating	100.4° F
Defrost Method	Air Defrost
Defrost Power (W)	0
Cooling Method	Ventilated
Temperature Controller	Thermostat
Compressor H/P	1/4

#### Electrical

Voltage (v/Hz)	115/60
Power (W)	390
Power Consumption (kw/24hr)	1.6
Phase	1



NEMA 5-15P

