

BISON

REFRIGERATION

Units Manufactured Prior 10-1-18

Include 1 Year Parts + Labor / 5 Year Compressor Warranty

Units Manufactured After 10-1-18

Include 2 Year Parts + Labor / 5 Year Compressor Warranty

BRR-71 3 Door Stainless Reach-In Cooler

Dimensions

Exterior Dimensions (Inches)	82" x 31.75" x 83.25"
Interior Dimensions (Inches)	77" x 27" x 58"
Packaging Dimensions (Inches)	83.7" x 33.1" x 88.5"
Capacity (cu. ft.)	71 cu. ft.
Gross Weight (lbs)	617 lbs

Construction

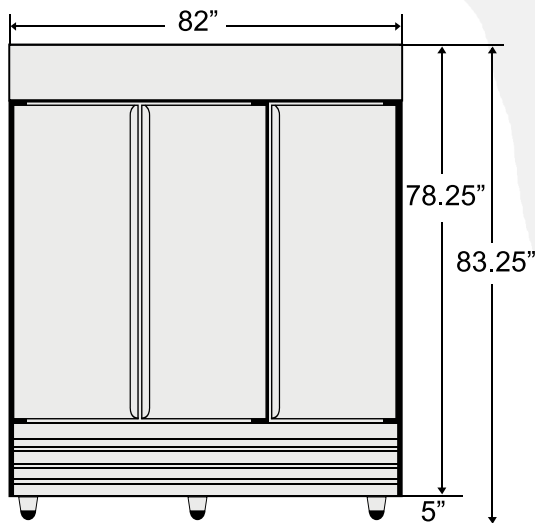
Exterior Material	430 series stainless steel
Interior Material	304 series stainless steel
Insulation Material	Polyurethane
Insulation Thickness (mm)	60
# of Doors	3
# of Shelves	9
Shelf Material	Plastic coated steel
Shelf Load Capacity (lbs/pc)	155 lbs

Cooling

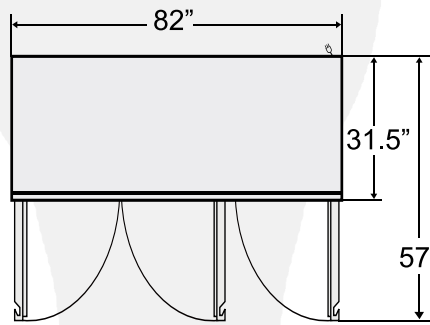
Temperature Range	33° ~ 40° F
Refrigerant	R-134A
Refrigerant Amount (oz)	19.7
Maximum Ambient Temperature Rating	100.4° F
Defrost Method	Air Defrost
Defrost Power (W)	0
Cooling Method	Ventilated
Temperature Controller	Digital
Compressor H/P	1/2

Electrical

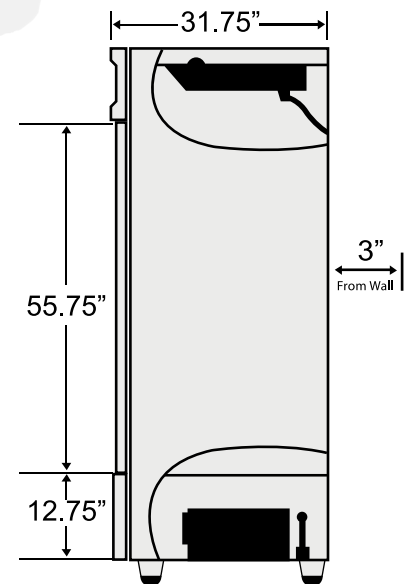
Voltage (v/Hz)	115/60
Power (W)	650
Power Consumption (kw/24hr)	3.4
Phase	1



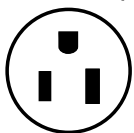
Front View



Top View



Side View



NEMA 5-15P

