

# BISON

## REFRIGERATION

Units Manufactured Prior 10-1-18

Include 1 Year Parts + Labor / 5 Year Compressor Warranty

Units Manufactured After 10-1-18

Include 2 Year Parts + Labor / 5 Year Compressor Warranty

### BRR-21 1 Door Stainless Reach-In Cooler

#### Dimensions

Exterior Dimensions (Inches)	27" x 31.5" x 83.25"
Interior Dimensions (Inches)	22" x 27" x 58"
Packaging Dimensions (Inches)	28.7" x 33.1" x 88.5"
Capacity (cu. ft.)	21 cu. ft.
Gross Weight (lbs)	254 lbs

#### Construction

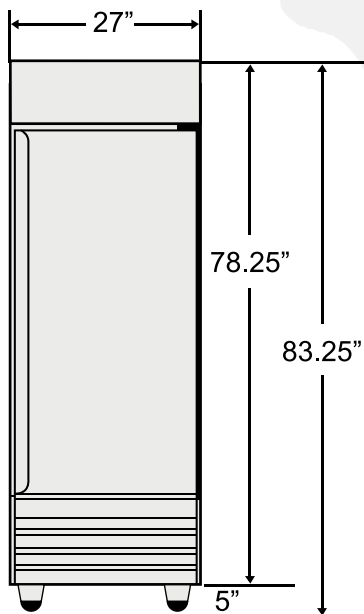
Exterior Material	430 series stainless steel
Interior Material	304 series stainless steel
Insulation Material	Polyurethane
Insulation Thickness (mm)	60
# of Doors	1
# of Shelves	3
Shelf Material	Plastic coated steel
Shelf Load Capacity (lbs/pc)	155 lbs

#### Cooling

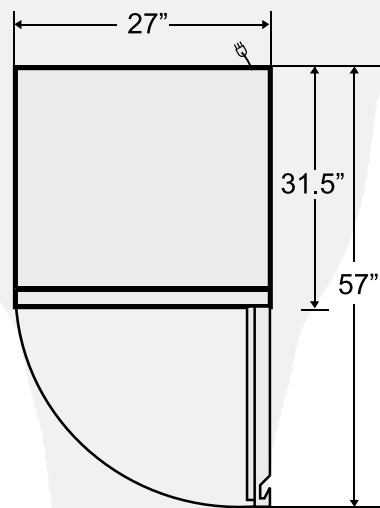
Temperature Range	33° ~ 40° F
Refrigerant	R-134A
Refrigerant Amount (oz)	9.2
Maximum Ambient Temperature Rating	100.4° F
Defrost Method	Air Defrost
Defrost Power (W)	0
Cooling Method	Ventilated
Temperature Controller	Digital
Compressor H/P	1/4

#### Electrical

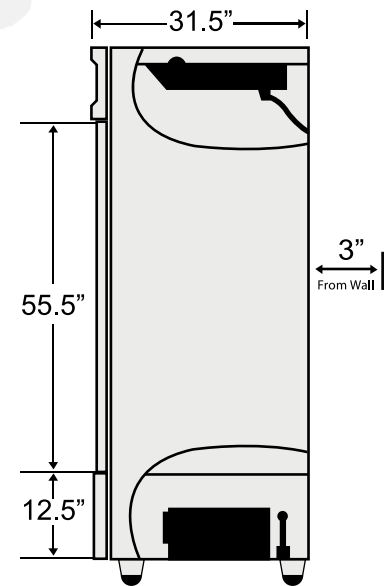
Voltage (v/Hz)	115/60
Power (W)	365
Power Consumption (kw/24hr)	2
Phase	1



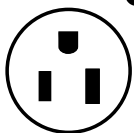
Front View



Top View



Side View



NEMA 5-15P

