

BISON

REFRIGERATION

Units Manufactured Prior 10-1-18

Include 1 Year Parts + Labor / 5 Year Compressor Warranty

Units Manufactured After 10-1-18

Include 2 Year Parts + Labor / 5 Year Compressor Warranty

BRF-71 3 Door Stainless Reach-In Freezer

Dimensions

Exterior Dimensions (Inches)	82" x 31.75" x 83.25"
Interior Dimensions (Inches)	77" x 27" x 58"
Packaging Dimensions (Inches)	83.7" x 33.1" x 88.5"
Capacity (cu. ft.)	71 cu. ft.
Gross Weight (lbs)	617 lbs

Construction

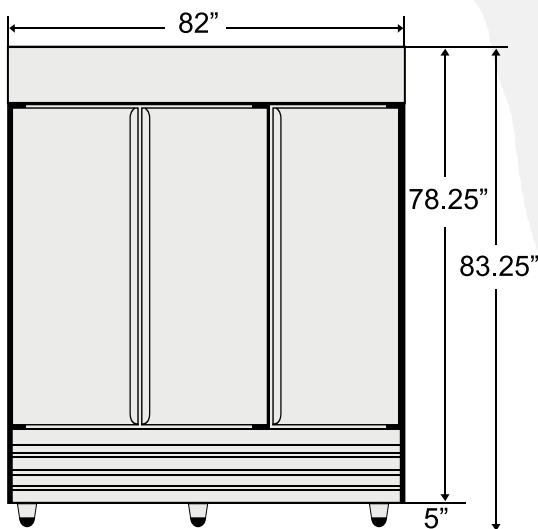
Exterior Material	430 series stainless steel
Interior Material	304 series stainless steel
Insulation Material	Polyurethane
Insulation Thickness (mm)	60
# of Doors	3
# of Shelves	9
Shelf Material	Plastic coated steel
Shelf Load Capacity (lbs/pc)	155 lbs

Cooling

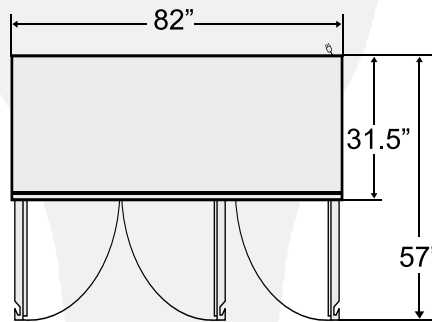
Temperature Range	-8° ~ -1° F
Refrigerant	R-404A
Refrigerant Amount (oz)	25.4
Maximum Ambient Temperature Rating	100.4° F
Defrost Method	Electric Defrost
Defrost Power (W)	1100
Cooling Method	Ventilated
Temperature Controller	Digital
Compressor H/P	1-1/4

Electrical

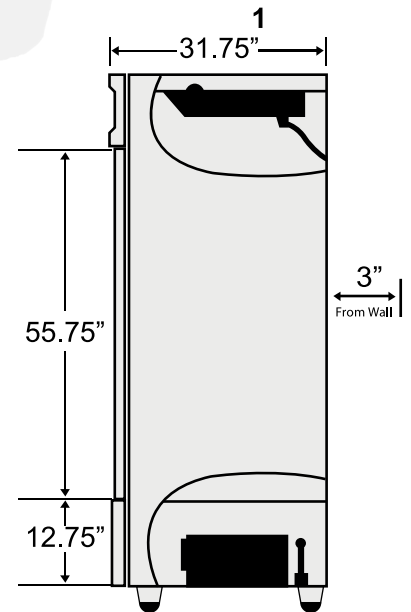
Voltage (v/Hz)	220/60
Power (W)	1200
Power Consumption (kw/24hr)	14.4
Phase	1



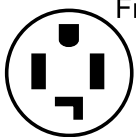
Front View



Top View



Side View



NEMA 14-20P

