

BISON

REFRIGERATION

Units Manufactured Prior 10-1-18

Include 1 Year Parts + Labor / 5 Year Compressor Warranty

Units Manufactured After 10-1-18

Include 2 Year Parts + Labor / 5 Year Compressor Warranty

BRF-46 2 Door Stainless Reach-In Freezer

Dimensions

| | |
|-------------------------------|------------------------|
| Exterior Dimensions (Inches) | 54.5" x 31.5" x 83.25" |
| Interior Dimensions (Inches) | 50" x 27" x 58" |
| Packaging Dimensions (Inches) | 56.1" x 33.1" x 88.5" |
| Capacity (cu. ft.) | 46 cu. ft. |
| Gross Weight (lbs) | 419 lbs |

Cooling

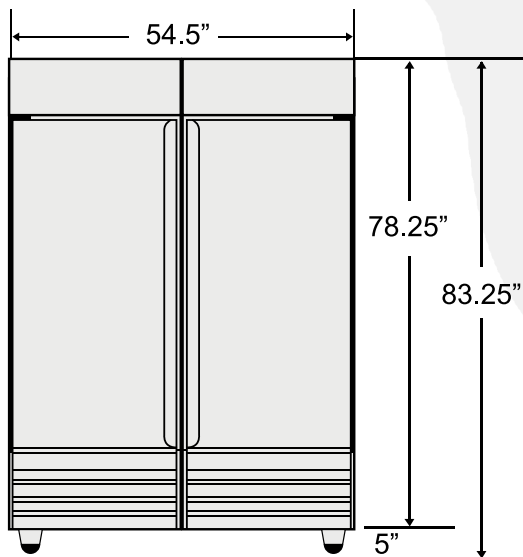
| | |
|------------------------------------|------------------|
| Temperature Range | -8° ~ -1° F |
| Refrigerant | R-404A |
| Refrigerant Amount (oz) | 19.4 |
| Maximum Ambient Temperature Rating | 100.4° F |
| Defrost Method | Electric Defrost |
| Defrost Power (W) | 800 |
| Cooling Method | Ventilated |
| Temperature Controller | Digital |
| Compressor H/P | 3/4 |

Construction

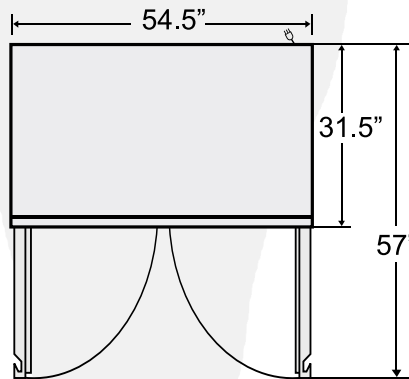
| | |
|------------------------------|----------------------------|
| Exterior Material | 430 series stainless steel |
| Interior Material | 304 series stainless steel |
| Insulation Material | Polyurethane |
| Insulation Thickness (mm) | 60 |
| # of Doors | 2 |
| # of Shelves | 6 |
| Shelf Material | Plastic coated steel |
| Shelf Load Capacity (lbs/pc) | 155 lbs |

Electrical

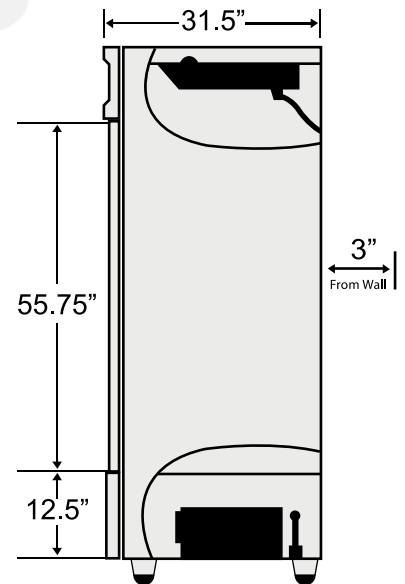
| | |
|-----------------------------|--------|
| Voltage (v/Hz) | 115/60 |
| Power (W) | 1170 |
| Power Consumption (kw/24hr) | 10 |
| Phase | 1 |



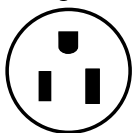
Front View



Top View



Side View



NEMA 5-15P

