

BISON

REFRIGERATION

Units Manufactured Prior 10-1-18

Include 1 Year Parts + Labor / 5 Year Compressor Warranty

Units Manufactured After 10-1-18

Include 2 Year Parts + Labor / 5 Year Compressor Warranty

BGM-8 1 Door Glass Reach-In Refrigerator

Dimensions

Exterior Dimensions (Inches)	21.2" x 20.7" x 69.8"
Interior Dimensions (Inches)	17.5" x 12.7" x 54.2"
Packaging Dimensions (Inches)	23" x 22.2" x 71.7"
Capacity (cu. ft.)	8.7 cu. ft.
Gross Weight	147 lbs

Construction

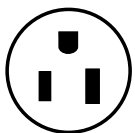
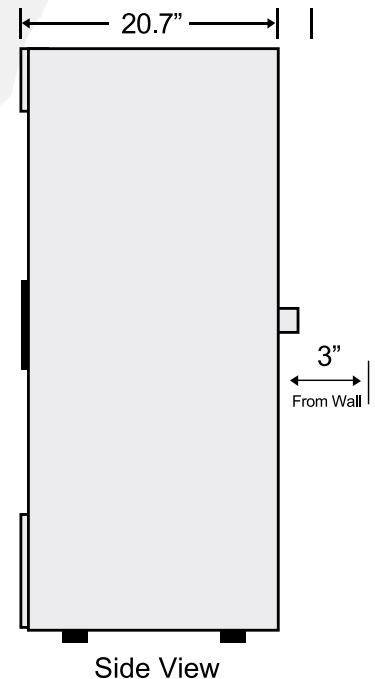
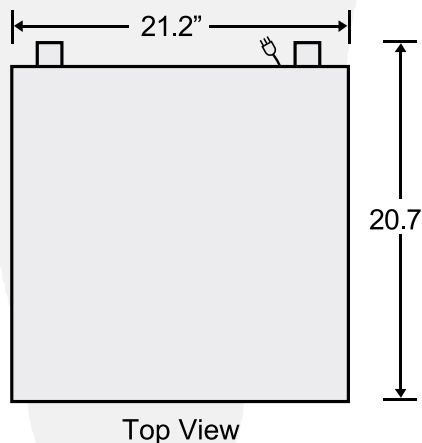
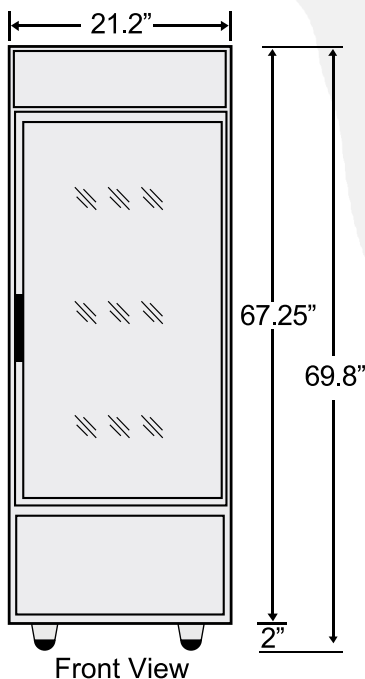
Exterior Material	Painted steel
Interior Material	Painted Aluminum
Door/Lid Material	Glass Door
Insulation Material	Cyclopentane
# of Doors	1
Self Closing Door	Yes
Lock Mounted	Yes
# of Shelves	4
Shelf Material	Plastic coated steel
Shelf Load Capacity	90 lbs

Cooling

Temperature Range	32° - 50° F
Refrigerant	R134a
Maximum Ambient Temperature Rating	109° F
Defrosting	Automatic
Temperature Display	Yes
Temperature Controller	Digital
Cooling System	Ventilated
Compressor H/P	1/4

Electrical

Voltage (v/Hz)	115/60
Amps	4



NEMA 5-15P

