



Units Manufactured Prior 10-1-18

Include 1 Year Parts + Labor / 5 Year Compressor Warranty

Units Manufactured After 10-1-18

Include 2 Year Parts + Labor / 5 Year Compressor Warranty

BGM-15 1 Door Glass Reach-In Refrigerator

Dimensions

Exterior Dimensions (Inches)	23.9" x 26.2" x 78.7"
Interior Dimensions (Inches)	20.2" x 19.7" x 61.5"
Packaging Dimensions (Inches)	24.2" x 28" x 82.1"
Capacity (cu. ft.)	15 cu. ft.
Gross Weight	194 lbs

Construction

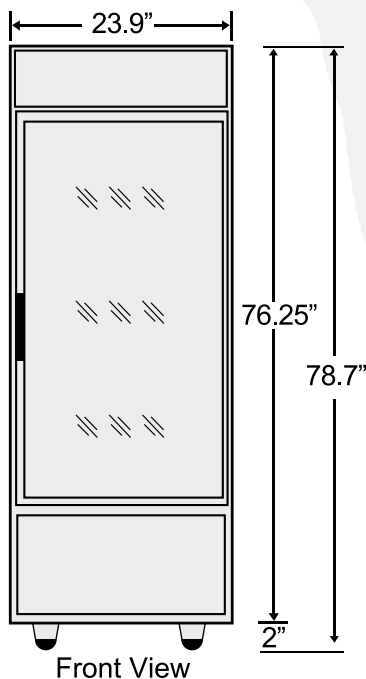
Exterior Material	Painted steel
Interior Material	Painted Aluminum
Door/Lid Material	Glass Door
Insulation Material	Cyclopentane
# of Doors	1
Self Closing Door	Yes
Lock Mounted	Yes
# of Shelves	4
Shelf Material	Plastic coated steel
Shelf Load Capacity	90 lbs

Cooling

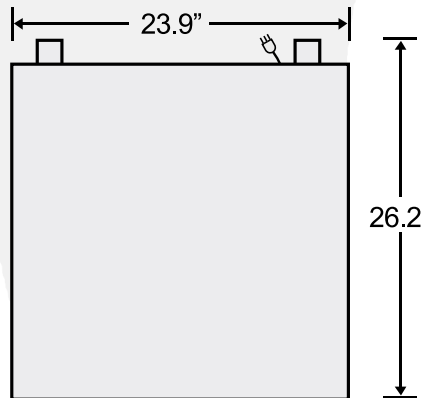
Temperature Range	32° - 50° F
Refrigerant	R134a
Maximum Ambient Temperature Rating	109° F
Defrosting	Automatic
Temperature Display	Yes
Temperature Controller	Digital
Cooling System	Ventilated
Compressor H/P	1/4

Electrical

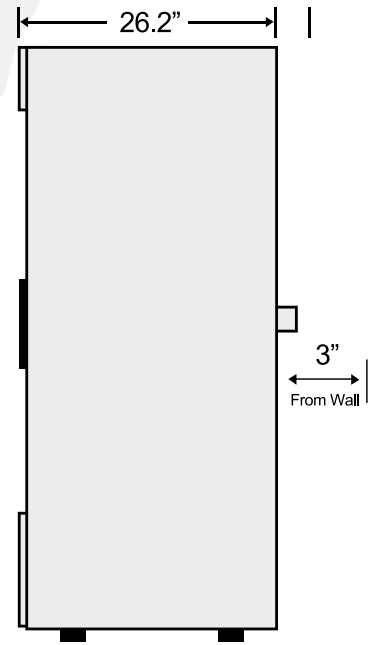
Voltage (v/Hz)	115/60
Amps	5



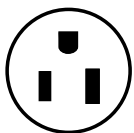
Front View



Top View



Side View



NEMA 5-15P

